

MODEL	ML06N,P ML6G	ML15N,P ML15G	ML30N,P ML30G
CAPACITY	6 kg	6 kg/15 kg	30 kg
RESOLUTION	1 g	2 g/ 5 g	5 g
WEIGHING RANGE	20 g-6 kg	40 g-15 kg	100 g-30 kg
TARE RANGE	-3 kg	-7.5 kg	-15 kg
MAIN DISPLAY	WEIGHT(5digit), UNIT PRICE(5digit), PRICE(6digit)		
SUB DISPLAY	ZERO, NET, AUTO, CAPs		
DISPLAY (DUAL)	ML-P/N	VFD	
	ML-G	VFD, LCD graphic display (192 x 64)	
PLU MEMORY	ML-P/N	Max. 9,000PLUs, 50 Direct PLU Keys (Max.150)	
	ML-G	Max. 6,000PLUs, 60 Direct PLU Keys (Max.180)	
PRINT TYPE	THERMAL TYPE		
AVAILABLE LABEL SIZE	WIDTH(BY 60mm), LENGTH(BY 150mm)		
LABEL PRINT TYPE	Manual Print/Bundle Print(Preliminary Print) /Auto Print/Consecutive Print		
INTERFACE	Standard : RS-232C		
	Option : RS-422(485), TCP/IP (ETHERNET) MLG series : Ethernet is standard.		
POWER REQUIREMENT	AC 220~230 V , 50/60Hz		
POWER CONSUMPTION	MAX 110 W		
OPERATING TEMP.	-10 °C ~ +40 °C		
PLATTER SIZE (mm)	ML-P/N	400 (W) x 255 (L)	
	ML-G	390 (W) x 250 (L)	
PRODUCE SIZE (mm)	ML-P	460 (W) x 495 (L) x 510 (H)	
	ML-N	460 (W) x 440 (L) x 195 (H)	
	ML-G	435 (W) x 405 (L) x 495 (H)	
PRODUCE WEIGHT	ML-P	12 kg	
	ML-N	11 kg	
	ML-G	12 kg	
Option	1. kg ↔ lb convertible 2. RS422 Port 3. RS485 Port 4. TCP/IP Ethernet (LAN 10 Base T) Port		

Label Format Samples

Maximum of 25 Large Size Characters / Line
Maximum of 56 Medium Size Characters / Line
Maximum of 56 Small Size Characters / Line



60mm x 32mm



60mm x 40mm



▲ Only for MLG

IMAGE PRINTING FUNCTION

Label Sizes

Label formats and sizes can be changed in accordance to your directives.(b: Barcode, n: No Barcode)

56 x 30 (b)	58 x 60 (b)
56 x 40 (b)	60 x 32 (b)
58 x 30 (b)	60 x 40 (b)
58 x 32 (n)	60 x 70 (b)
58 x 40 (b)	

(User Label)



EST.1975
MOTEX
PRODUCTS CO.,LTD.

ADD : C.P.O BOX 6912 SEOUL, KOREA
TEL : 82-2-2274-9973
FAX : 82-2-2274-9972
E-mail : scales@motex.co.kr
<http://www.motex.co.kr>

Modifications can be made to this catalog without notice.

EST.1975

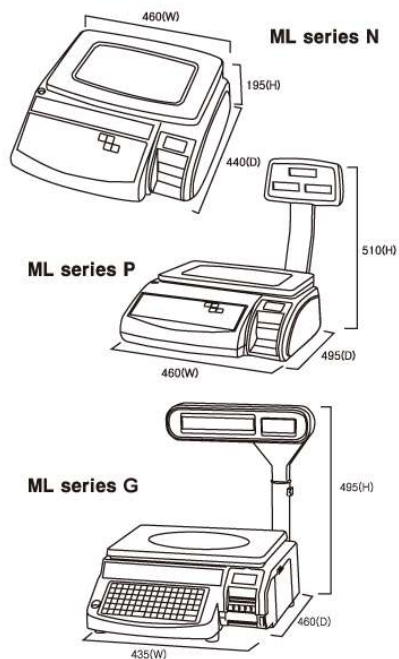
MOTEX

LABEL PRINTING SCALES

Designed for User's Convenience



Dimensions



ASR ISO 9001: 2000/Cert No. 3142
REGISTERED ISO 14001: 2004/Cert No. 3282



ML series



ML-G series

LCD Graphic Display

PLU Management Program

Manage PLU data efficiently and transfer the data from PC to scale.

Direct PLU Key

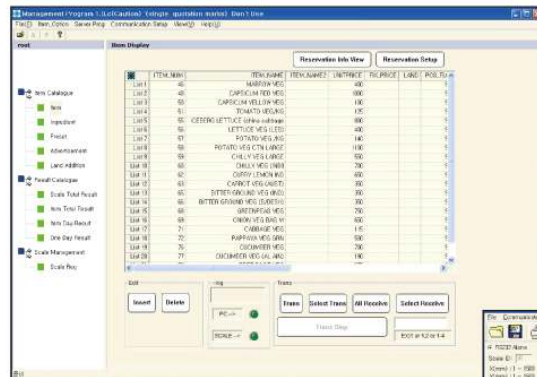
Assign shortcut keys which bring up to 150 product data in a single press.

Spacious Data Memory

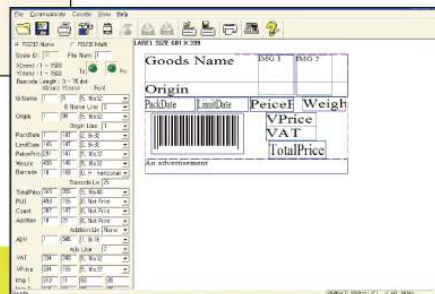
Details of up to 9,000 PLU, 600 ingredients, and 210 advertising messages can be stored.

Self Diagnosis

Identify the errors instantly for a convenient maintenance and quick trouble shooting.



PLU Management Program



Label Designing Program

Fast Label Printing

Labels up to a length of 150mm at a rate of 100mm/sec.

Wide Range of Bar code Selection

18 or 24 digits bar code by either EAN 8 or EAN13 format.

RTOS (Real Time Operation System) - Complete Networking

Effective management of your PLU data and sales updates in real time.

Ethernet as basic function

Easy handling of PLU data in the scales from the master PC.

Easy Sales Management

- Printing total sales report for all and for selected product
- Printing daily total sales report for all and for selected product
- Printing sales report: Classified by a day of week, by a staff, by hourly (every two hours), by PLU including non assigned PLU.

Label Designing Program

Create attractive labels using label template.

Design your own labels with your own custom logo & image.

Adjust the position and angle of the contents on the label.

Nutrition Panel Format

Designing and printing a nutrition information panel in a label.

Option

- Printing sales report in real time.
- Ticket printing is available.
- Color Option: **Sky Blue**, **Navy**

