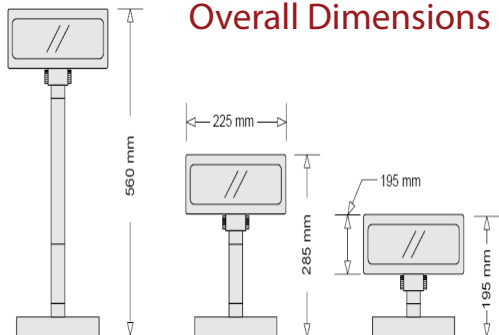


# Customer Display

VFD Display

RPD-200



## Features

Data can be display on 20 columns X 2 lines.

Display panel is adjustable to provide the best view angle.

Provide 2 pole for best position installation.

Esc/pos command compatible.

International character set is selectable.

User-defined characters can be downloaded.

User-defined message can be download.

Green power function.

Provides interface on RS-232C , USB for option.

## Specifications

### Model - RPD200

### Display

Display method	VFD display (blue green)
Brightness	700 cd/m2
Number of character	20 columns x 2 lines

### Viewing

Character type	5 x 7 dot matrix
Character size	9.03 x 5.25mm
Fonts	96 alphanumeric 13 international character sets 1 user define character
Viewing angle (Horizontal)	120 degrees
Viewing angle (Vertical)	90 degrees
Rotation angle (Horizontal)	350 degrees
Tilt angle	0 ~ 60 degrees

### Electrical

Power supply	9 ~ 45Vdc 5Vdc
Power consumption	6W (Max.)
MTBF	25,000 hours (working hours)

### Operations

Operating temperature	0 ~ 50
Operating humidity	5 ~ 95 %RH
Storage temperature	-20 ~ 60
Storage humidity	5 ~ 95 %RH
Panel dimensions	224 (W) x 93 (H) x 50(D) mm
External dimensions	Long 225(W) x 100(D) 560(H)mm Middle 225(W) x 100(D) 285(H)mm Short 225(W) x 100(D) 195(H)mm

Connectivity	RPD-200 SU - Connect-Serial   Power - USB RPD-200 SA - Connect-Serial   Power - External Adaptor RPD-200 UB - Connect-USB   Power - USB
--------------	---

Weight	1.25 Kg
--------	---------

• Note: All features and specifications are subject to change without notice.  
All information subject to mistakes and alteration.