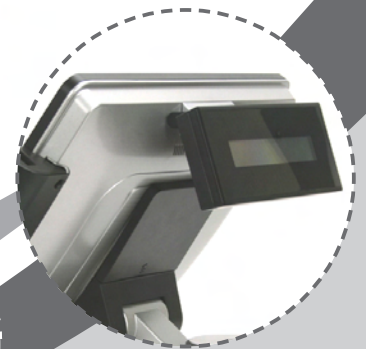


# Stylish Dynamic Fanless Touch POS Terminal

High performance touch POS terminal with base O small footprint  
empower high technique operation application

**X-POS 752**



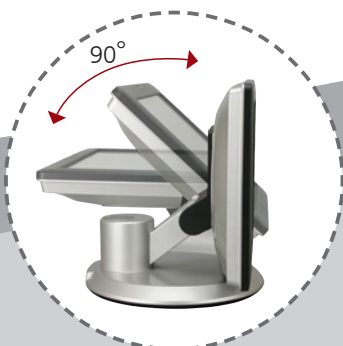
Support attached customer display, MSR, iButton, RFID, fingerprint and front panel IP55 protection



Rich I/O connections for various peripherals



Support second customer display

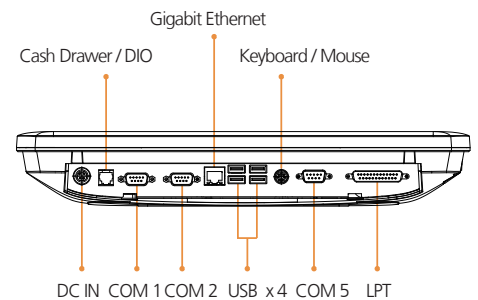
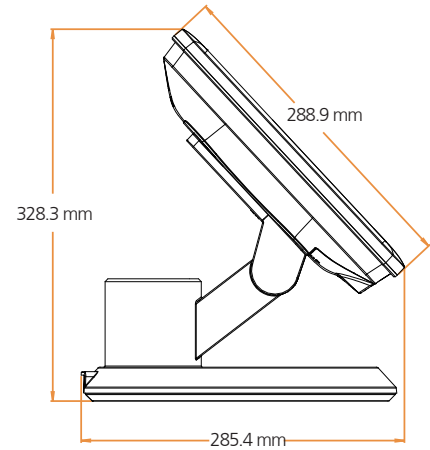
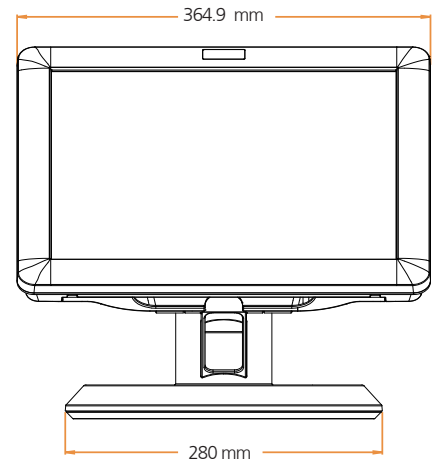


Wide tilt angle 0°~90°

## Specifications

<b>Model Number</b>	XPOS72-5B-A16G-10	
<b>Main Board</b>	CPU	Intel® Atom™ Processor N270 1.6GHz
	Core Logic	Intel 945GSE / ICH7-M
	System Memory	SO-DIMM DDR2, up to 2GB
	OS Support	Windows® XP / XPe, WEPOS, WinCE*, POSReady, Vista, Windows 7, Linux*
<b>Display</b>	TFT LCD Size	15"
	Brightness	250 nits
	Resolution	1024 x 768
	Touch Screen	5 wire resistive type
	Tilt Angle	0°~90°
<b>Storage Device</b>	DOM	1 x IDE
	HDD	1 x 2.5" HDD Drive Bay
	Compact Flash	1 x slot compact flash typell
<b>I/O Ports</b>	Serial	3 x RS-232 COM 1 : RS-232/422/485, DB-9, Pin9 w/ RI/5V/12V Selectable by BIOS COM 2 / 5 : DB-9, Pin9 w/ RI/5V/12V Selectable by BIOS
	Parallel	1 x DB25
	USB	4 x USB 2.0
	PS/2 Keyboard / Mouse	1 x Mini-DIN
	LAN	1 x Gigabit Ethernet by RJ-45 , Support Wake on LAN
	Cash Drawer	1 x RJ11 (12VDC)
	Audio	2W Speaker x 2
	VGA	1 x Internal pin header
	Wall mount	Support VESA Mount
	Power Input	External adapter,80Watt, 12VDC input
<b>Others</b>	Color	Black / Silver
	Material	Plastic / Aluminum
	EMC& Safety Compliance	FCC / CE / WEEE / RoHS / CCC / CB
	Weight	7.8 Kgs
	Dimension	364.9 W x328.3 Hx285.4 D(mm)
	Operating Temperature	0°C ~ 35°C
	Storage Temperature	-20°C ~ 60°C
	Humidity	20% - 80% RH, non-condensing

\* Please contact supplier for detail information.



## Ordering information

### Main Unit

Part No.	Description
XPOS72-5B-A16G-10	Fanless Touch POS Terminal w/ 15" TFT LCD, Intel® ATOM™ N270 1.6GHz CPU, Base O. For second display solution, please contact supplier.

### Optional Accessories

Part No.	Description
LCM202J-B-AT	Customer display: LCM Attached, 20 columns x 2 lines, RS-232 Type
VFD202E-B-AT	Customer display: VFD Attached, 20 columns x 2 lines, RS-232 Type
VFD202N-B-AT	Customer display: VFD Attached, 20 columns x 2 lines, RS-232 Type, Support 2 Bytes character
LCM202J-B-PL	Customer display: LCM pole, 20 columns x 2 lines, RS-232 Type
VFD202E-B-PL	Customer display: VFD pole, 20 columns x 2 lines, RS-232 Type
VFD202N-B-PL	Customer display: VFD pole, 20 columns x 2 lines, RS-232 Type, Support 2 Bytes character
Z0500002	MSR-Front Type, 3 Tracks, PS/2 Type
Z0500004	MSR-Side Type, 3 Tracks, PS/2 Type & Finger Print, USB Type
Z0500005	MSR-Side Type, 3 Tracks, PS/2 Type & i-Button, PS/2 Type
Z0500006	MSR-Side Type, 3 Tracks, PS/2 Type & RFID, USB Type
Z0500007	MSR-Side Type, 3 Tracks, PS/2 Type & i-Button, RFID, USB Type
A0400807	Wireless LAN: IEEE 802.11 B/G, USB Type
Z0600005	Compact Flash: 1GB
Z0600023	Compact Flash: 2GB

Part No.	Description
Z0600024	Compact Flash: 4GB
Z0600033	Compact Flash: 8GB
Z0900001	OS License: Windows XP Professional, English Version
Z0900002	OS License: WEPOS, English Version
Z0900020	OS License: Windows XP for Embedded, English Version
Z0900021	OS License: Windows Embedded POSReady 2009, English Version
Z0900025	OS License: Windows 7, English Version
Z0300021	Memory: DDR2-667, 512MB, 200PIN, SO-DIMM
Z0300023	Memory: DDR2-667, 1GB, 200PIN, SO-DIMM
Z0300024	Memory: DDR2-667, 2GB, 200PIN, SO-DIMM
Z0200023	2.5" Slim Type HD: 160GB SATA Type

Specifications are subject to change without notice. Issue Date: 2010 / 07



### EBN Technology Corp.

10F, No. 90, Sec. 1, Sintai 5th Rd., Sijhih City,  
Taipei County 221, Taiwan  
TEL : +886-2-2696 9292  
FAX : +886-2-2696 9393  
E-mail : sales@ebn-pos.com  
www.ebn-pos.com