

# The Versatile P.O.S. 12.1" TFT LCD Color Monitor

**TVS**  
VIDEO SOLUTION PROVIDER  
SINCE 1983



**Brilliant Black and OA White**  
Two Colors Optional



**Stand Base With Tilt  
45° Adjustment  
Type A**



**Cable management**



**Card Reader  
Version**



**VESA Wall Mounting**  
Meet VESA Standard  
(75x75mm)



**"i-touch" Auto Adjustment**  
The Intelligent One Touch Key,  
Automatically Set Your Monitor  
to Optimal Position.

**RoHS  
Compliance**

**Features:**

- ▶ Full 12.1" Viewable Display Crisp Image
- ▶ On Screen Display Easy to Use
- ▶ Auto Scaling Function Simply " i-touch "
- ▶ Stand Base With Tilt 45° Adjustment
- ▶ Ideal for POS/Kiosk Users and Windows Application
- ▶ Power Consumption 15W/3W DPMS
- ▶ State-of-the-Art Design
- ▶ Touch Version Availability
- ▶ Card Reader Version Availability
- ▶ Anti-Reflection Strengthen Glass availability
- ▶ Cable management for neat installation ( Touch version only )



ISO 9001  
ISO 14001



# The Versatile P.O.S. 12.1" TFT LCD Color Monitor



**Stand Base (0°~45°)**  
Standard Plate With Patent  
Tilt Adjustment 0°~45° is  
Designed for Different  
Viewing Angles of  
Various Applications.  
Ideal for Touch  
Screen Operation



MODEL		LP-12Rxx
Panel	Viewing Area	12.1"
	Resolution	800 x 600 SVGA
	Color	262,144
	Viewing Angle	Horizontal: 120° & Vertical: 95°
	Response Time Tr/Tf	20/35 ms
	Contrast Ratio	200 : 1
	Brightness	300 cd/m <sup>2</sup>
Video Input	VGA Signal	R/G/B Analog VGA
	Scan Frequencies	H: 31.5 ~ 48 KHz V: 56 ~ 75 Hz
Control	Power	On / Off with LED Indicator
	OSD	OSD Control with "i-touch" auto scaling
Power Adaptor	Input	Universal AC 100 ~ 240 V, 50 / 60 Hz
	Output	DC +12 V
Power	Management	VESA DPMS Standard
	Consumption	15W / 3W
Environment	Temperature	0°C ~ 50°C
	Humidity	20% ~ 85%
Safety & EMI		FCC-B, ETL, ETL, CE, TÜV / GS, CCC
Applications		POS, Banking, ATM, IPC, TML, Web IA, Mini PC, ...etc
Optional		
	Touch Panel	ELO Resistive (5Wires)
	Glass	Anti-Reflection Strengthen Glass
	Card Reader	300,000 Pass or 1,000,000 Pass
	Cabinet Color	White or Black

Specification is subject to change without notice.

## Optional



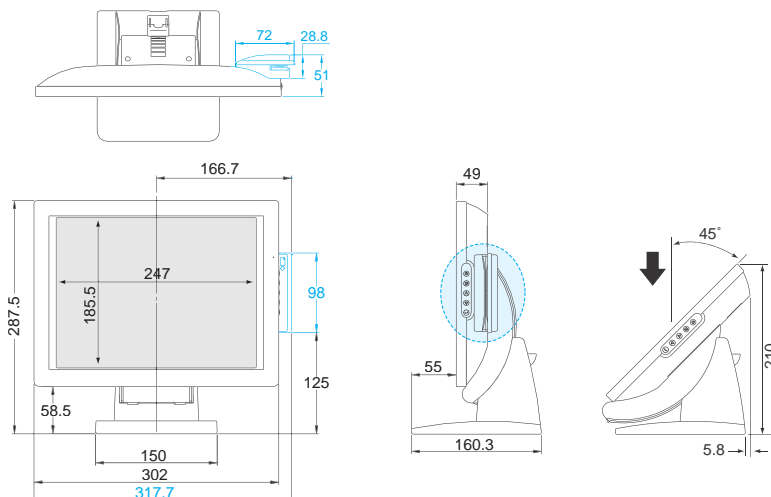
Touch Screen



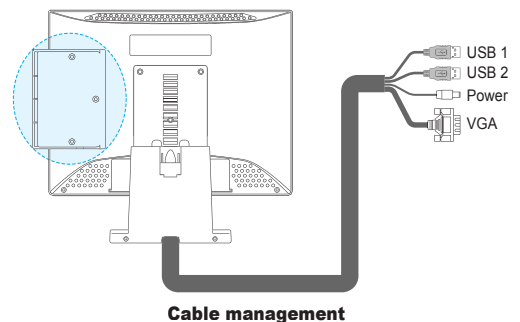
Anti-Reflection  
Strengthen Glass



Card Reader Version



## Card Reader Version



Cable management

2006.02



台灣視訊系統股份有限公司  
TAIWAN VIDEO SYSTEM CO., LTD.  
http://www.tvs.com.tw e-mail: info@tvs.com.tw

TVS GROUP  
USA TVSA e-mail: info@eversun.com  
Germany TVSG e-mail: info@tvsg.de  
China TVSC e-mail: info@tvsc.com.cn

