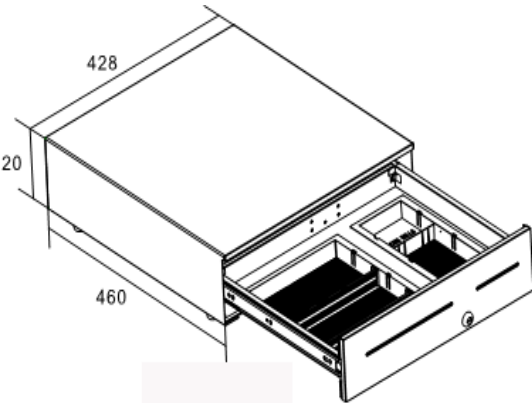


RSC-420

Heavy Duty Cash Drawers

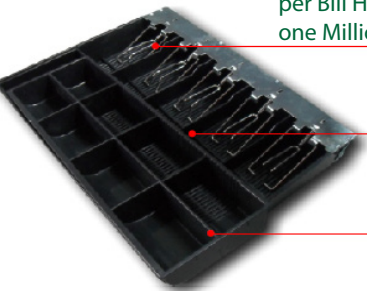


Industrial Grade Ball Bearing Slides



Removable & Adjustable Cash Trays

Durable Metal Wire Gripper Bill Holder Tested over one Million Operation



Easy & Comfortable Operation. Human Engineering Design



Easy Access Interface Location

RSC-420, Made of heavy gauge steel, suitable for heavy duty use and prolonged operational life, the ideal choice for reliability and perfect platform for any PoS terminal. Adjustable and removable 4/5-note and 8-coin Cash tray with metal wire grippers, making it worldwide compatible



Multi Layer for Cash Management Second Floor Space for Storing Big Notes and Medias

Specifications

Physical

Dimension	428 (W) x 460(D) x 350 (H) mm
Construction	Thick gauge cold rolled steel & SECC
Finish	Textured hybrid powder coat
Color	Black, Beige and Custom type
Roller	Polyurethane for smooth operation
Net Weight	11.5 KG
Gross Weight	12.5 KG
Carton Size	47.8 CM x 15 CM x 51.5 CM

Cash Tray (Insert)

Construction	Shatter-resistant plastic
Currency Layout	4/5-Bill with Metal Clips, Metal wire grips 8 Adjustable Coin Slots
Media	2

Operation

Drawer Lock	2-Position lock / 4-Functions : locked open/closed, manual open, electronically driven
Interface	RJ11, RJ12, USB, RS232, DC-2.5/3.5 Jack, custom type
Life Cycles	MTBF 1,000,000 times
Micro Switch	Cash Drawer Status Micro Switch

Optional

Cash Trays	with different Currency Layout
Interface options	Trigger Modules for RJ11 to Serial or RJ11 to USB

• Note: All features and specifications are subject to change without notice.
All information subject to mistakes and alteration.



Retail In Operation

Retail In Operation International
Brampton ,ON, Canada

Email: info@riopos.com, sales@riopos.com
www.riopos.com, www.rio-intl.com